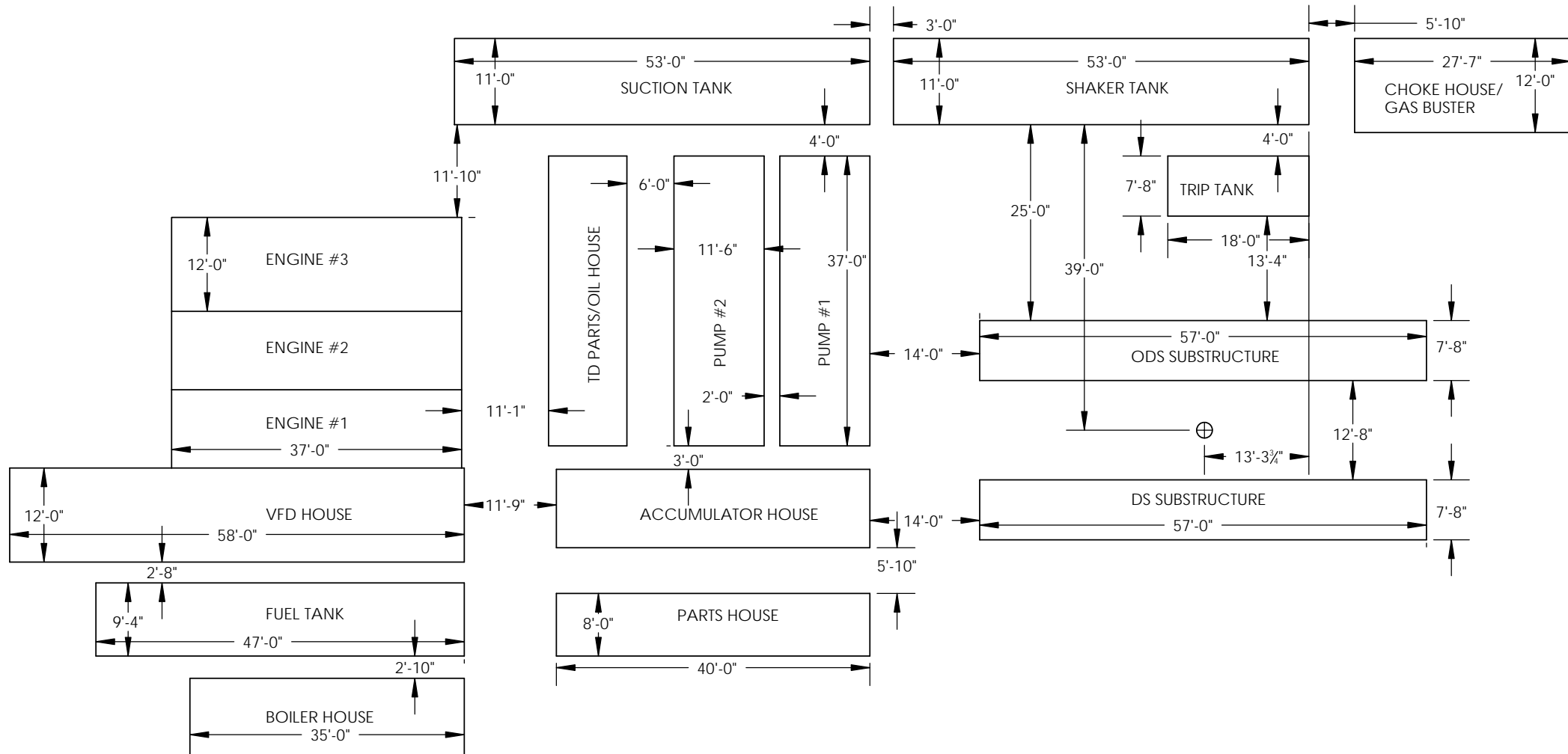


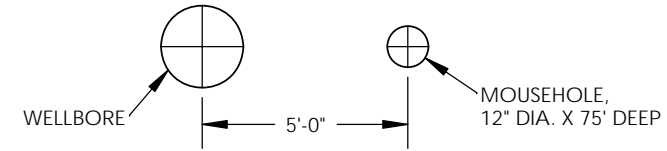
# Rig 62 Building Spacing Drawing



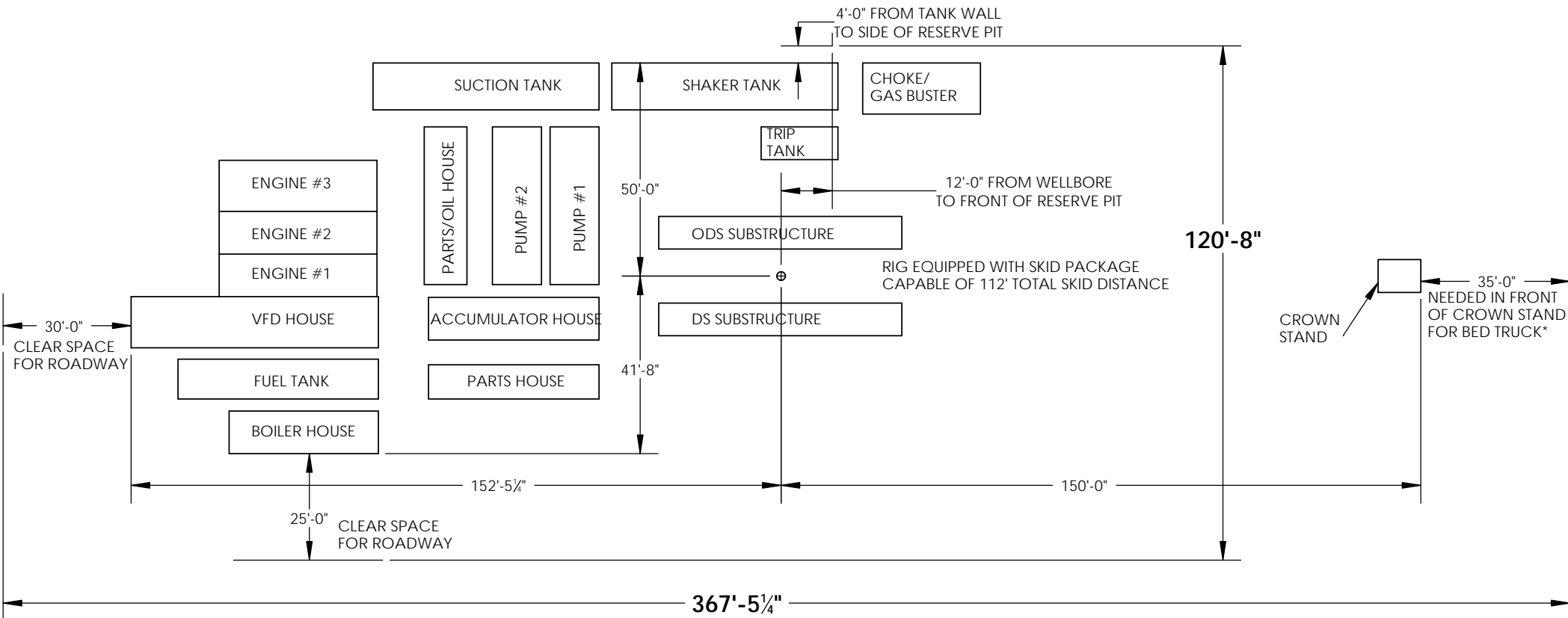
**NOTE:** ALL MEASUREMENTS ARE WALL-TO-WALL.  
 10'-0" BUILDING WIDTH UNLESS OTHERWISE NOTED.  
 ASSUME 18" LOADING HITCHES ON NARROW ENDS.

# Rig 62 Location & Dryholes Drawing

## DRYHOLE DIMENSIONS



## MINIMUM LOCATION DIMENSIONS



\* 185'-0" CLEAR SPACE NEEDED IN FRONT OF FURTHEST WELL IF ON MULTI-WELL PAD